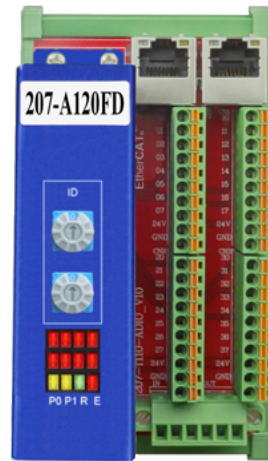


Analog I/O Slave

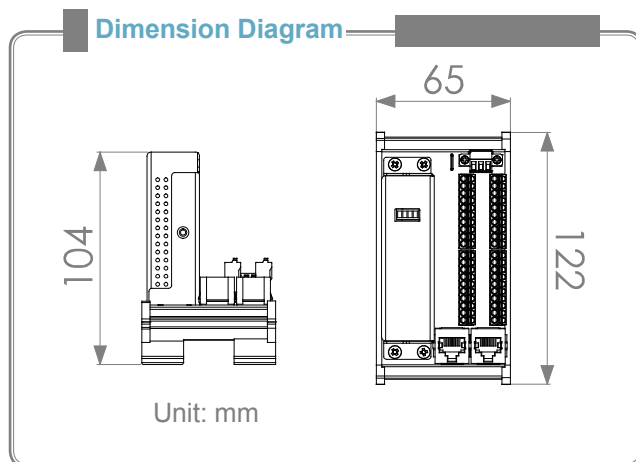
207-A120FD Series



8 Ch. AI Slave Module with Pluggable Terminal

Features

- DIN rail mounting (L-122 x W-65 x H-104 mm)
- Max. 100Mbps transfer rate
- General purpose isolated I/O: 8 DO
- Rotary switch for address setting
- Easy installation with RJ45 phone jack and LED diagnostic
- Pluggable terminal block with spring plug connectors



Ordering information

- **207-A120FD**
8 Ch. Analog Input (AI) w. $\pm 10V$
- **207-A120FHD**
8 Ch. Analog Input (AI) w. $\pm 1V$
- **207-A120FID**
8 Ch. Analog Input (AI) w. 4~ 20mA
- **SCB-1BB-06A/10A/20A/30A/50A/A0A**
CAT5 LAN cable, 0.6M/1M/2M/3M/5M/10M

Specification

EtherCAT®

Serial interface	Fast Ethernet, Full-Duplex
Distributed Clock	1ms
Cable type	CAT5 UTP/STP Ethernet cable
Surge protection	10KV
Transmission speed	100 Mbps
I/O isolation voltage	3.75KVrms

Digital I/O

General purpose output	OUT X 8 (4 Ch. High Speed)
-------------------------------	----------------------------

AD Converter

Effective resolution	16 bits
Fetch frequency	Max. 1KHz (DC Mode)
Input range	Single End: $\pm 10V$ Differential: $\pm 10V$

General

Power supply	24VDC
Power consumption	3W typical
Working temperature	0 to 60°C