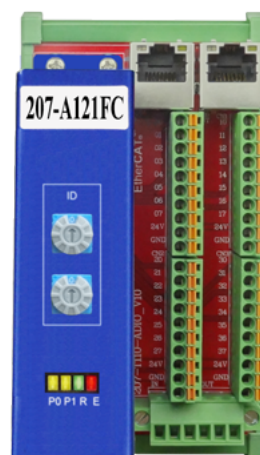


Analog I/O Slave

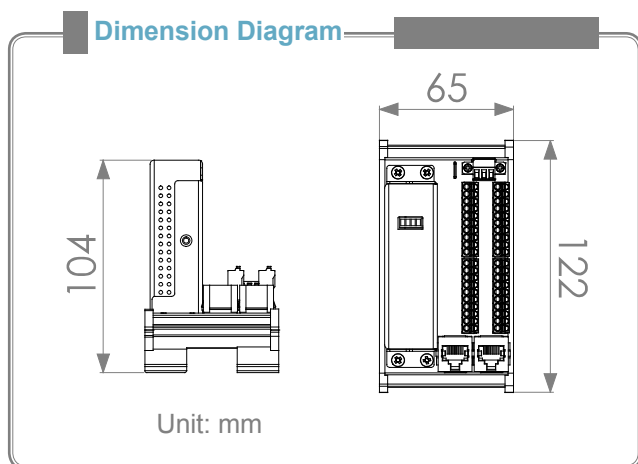
207-A121FC



8 Ch. AI and 2 Ch. AO Slave Module with Pluggable Terminal

Features

- DIN rail mounting (L-122 x W-65 x H-104 mm)
- Max. 100Mbps transfer rate
- Rotary switch for address setting
- Easy installation with RJ45 phone jack and LED diagnostic
- Pluggable terminal block with spring plug connectors



Ordering information

- **207-A121FC**
8 Ch. AI and 2 Ch. AO
- **SCB-1BB-06A/10A/20A/30A/50A/A0A**
CAT5 LAN cable, 0.6M/1M/2M/3M/5M/10M

Specification

EtherCAT®

Serial interface	Fast Ethernet, Full-Duplex
Distributed Clock	1ms
Cable type	CAT5 UTP/STP Ethernet cable
Surge protection	10KV
Transmission speed	100 Mbps
I/O isolation voltage	3.75KVrms

AD Converter

Effective resolution	16 bits
Fetch frequency	Max. 1KHz (DC Mode)
Input range	Single End: ±10V Differential: ±10V

DA Converter

Effective resolution	12 bits
Output range	±10V
Operation mode	Ramp and Noise, Single Value, Single Coupled Value, Pattern

General

Power supply	24VDC
Power consumption	3W typical
Working temperature	0 to 60°C