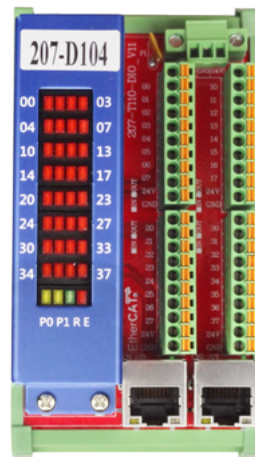


Digital I/O Slave

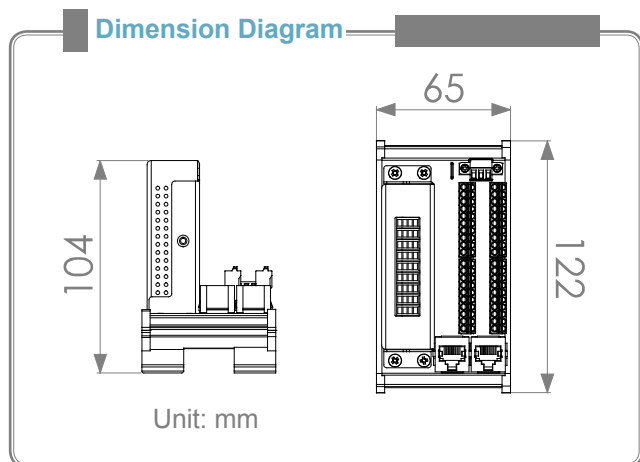
207-D104-XN



32 Ch. DO Slave Module with Pluggable Terminal

Features

- DIN rail mounting (L-122 x W-65 x H-104 mm)
- Max. 100Mbps transfer rate
- Easy installation with RJ45 phone jack and LED diagnostic
- Pluggable terminal block with spring plug connectors



Ordering information

- **207-D104-XN**
32 Ch Digital Output (DO) with NPN type
- **207-D104-XP (available soon)**
32 Ch Digital Output (DO) with PNP type
- **SCB-1BB-06A/10A/20A/30A/50A/A0A**
CAT5 LAN cable, 0.6M/1M/2M/3M/5M/10M

Specification

EtherCAT®

Serial interface	Fast Ethernet, Full-Duplex
Distributed Clock	1ms
Cable type	CAT5 UTP/STP Ethernet cable
Surge protection	10KV
Transmission speed	100 Mbps
I/O isolation voltage	3.75KVrms
Output type	NPN open collector Darlington transistors
Switch capacity	Each output Ch. is 350mA at 24VDC
Response time	On to Off, about 50µs; Off to On, about 10µs
Over current protection	3A (Max) for each port (8 Ch.)

General

Power supply	24VDC
Power consumption	3W typical
Working temperature	0 to 60°C

I/O connector

CN5		CN6		CN7		CN8	
O00	01	O10	01	O20	01	O30	01
O01	02	O11	02	O21	02	O31	02
O02	03	O12	03	O22	03	O32	03
O03	04	O13	04	O23	04	O33	04
O04	05	O14	05	O24	05	O34	05
O05	06	O15	06	O25	06	O35	06
O06	07	O16	07	O26	07	O36	07
O07	08	O17	08	O27	08	O37	08
24V	09	24V	09	24V	09	24V	09
GND	10	GND	10	GND	10	GND	10

207-D104-XN Terminal Definitions