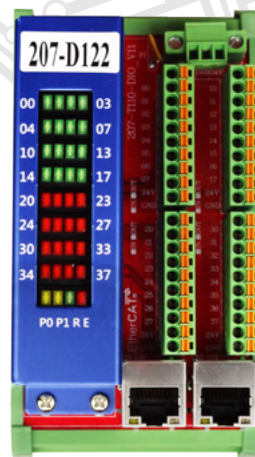


Digital I/O Slave

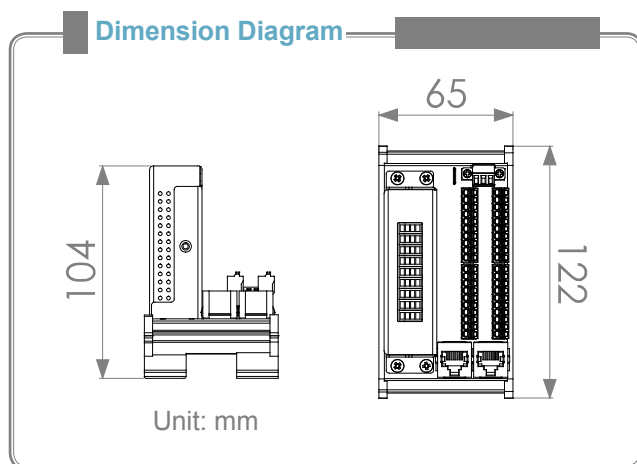
207-D122-NN



16 Ch. DI/O Slave Module with Pluggable Terminal

Features

- DIN rail mounting (L-122 x W-65 x H-104 mm)
- Max. 100Mbps transfer rate
- Easy installation with RJ45 phone jack and LED diagnostic
- Pluggable terminal block with spring plug connectors



Ordering information

- **207-D122-NN**
16 Ch. DI and 16 Ch. DO with NPN type
- **207-D122-PP (available soon)**
16 Ch. DI and 16 Ch. DO with PNP type
- **SCB-1BB-06A/10A/20A/30A/50A/A0A**
CAT5 LAN cable, 0.6M/1M/2M/3M/5M/10M

Specification

EtherCAT®

Serial interface	Fast Ethernet, Full-Duplex
Distributed Clock	1ms
Cable type	CAT5 UTP/STP Ethernet cable
Surge protection	10KV
Transmission speed	100 Mbps
I/O isolation voltage	3.75KVrms
Input type	NPN open collector Darlington transistors
Input impedance	5.6KΩ/0.5W
Input current	±5mA(Max)
Output type	NPN open collector Darlington transistors
Switch capacity	Each output Ch. is 350mA at 24VDC
Response time	On to Off, about 50μs; Off to On, about 10μs
Over current protection	3A (Max) for each port (8 Ch.)

General

Power supply	24VDC
Power consumption	3W typical
Working temperature	0 to 60°C