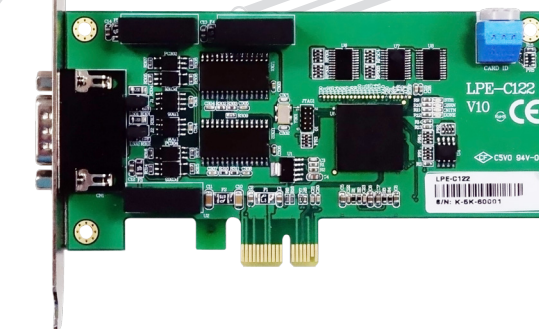


PCI Express LPE-C122

2-Port Isolated CAN Bus Card



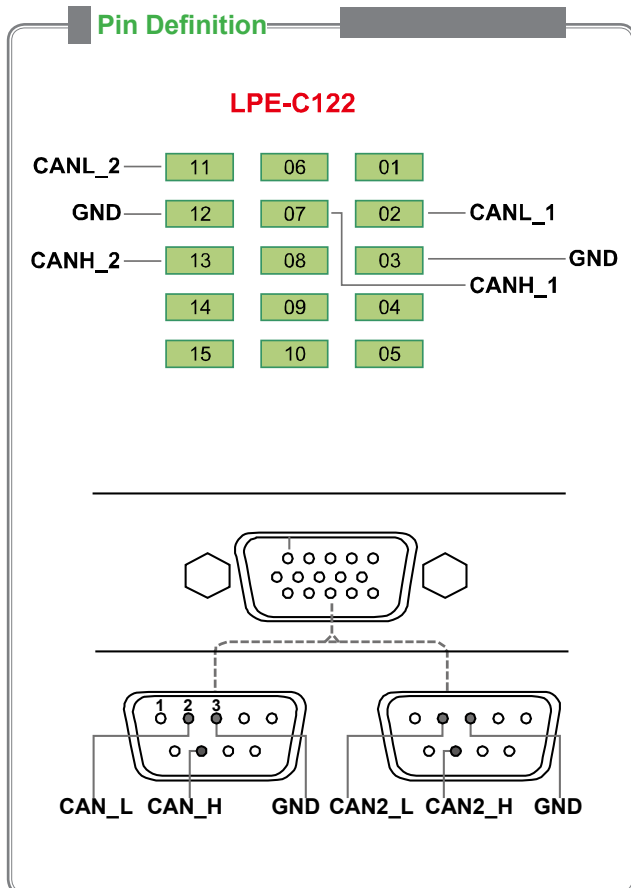
Features

- PCI Express x1 compliant
- Low profile form factor
- CAN 2.0 A,B Protocol
- Two independent CAN communication operation
- Up to 1 Mbit/s programmable transfer rate on each port
- 120 ohm termination resistor selected by jumper

Specifications

| CAN | |
|----------------------|--|
| Number of port | 2 |
| CAN controller | SJA1000 |
| Protocol | CAN 2.0 A,B |
| Speed | 1Mbps |
| Signal support | CAN_H, CAN_L, GND |
| Isolation voltage | 3750Vrms |
| Termination resistor | 120 ohm selected by jumper |
| Connectors | DB15 Male |
| General | |
| Bus type | 1-lane 2.5 Gb/s PCI Express |
| Power consumption | 3.3VDC at 100mA, 12VDC at 100mA typical |
| Working temperature | 0 to 60°C |

Pin Definition



Ordering information

- **LPE-C122**
2-port Isolated CAN card
- **Y Cable from DB15 to Two DB9 MM**
DB15 - DB9M+DB9M, 0.5M

Software Supporting

- **Windows 2000/XP/7 WDM driver**
Support Visual C/C++, C#, Microsoft .NET Framework programming on Windows 2000/XP/7 platform with DLL
- **DeviceNet DLL supported by request**