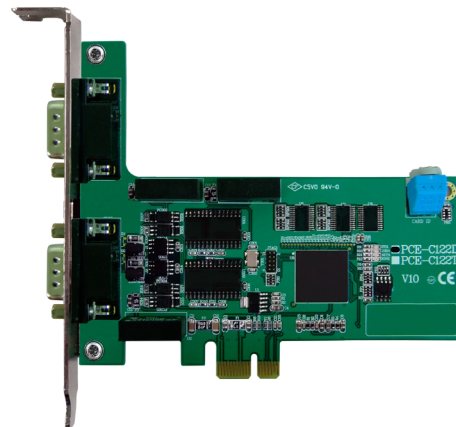


PCI Express PCE-C122D

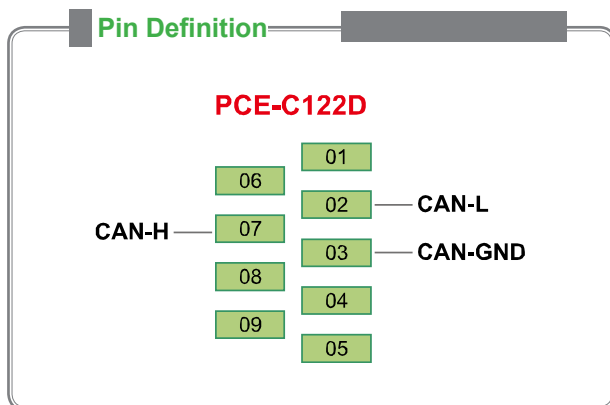
2-Port Isolated CAN Bus Card



Features

- PCI Express x1 compliant
- CAN 2.0 A,B Protocol
- Two independent CAN communication operation
- Direct memory mapping to the CAN controllers
- Up to 1 Mbit/s programmable transfer rate on each port
- 120 ohm termination resistor selected by jumper

Pin Definition



Specifications

CAN

Number of port	2
CAN controller	SJA1000
Protocol	CAN 2.0 A,B
Speed	1Mbps
Signal support	CAN_H, CAN_L, GND
Isolation voltage	3750Vrms
Termination resistor	120 ohm selected by jumper
Connectors	DB9 Male

General

Bus type	1-lane 2.5 Gb/s PCI Express
Power consumption	3.3VDC at 100mA, 12VDC at 100mA typical
Working temperature	0 to 60°C

Ordering information

- **PCE-C122D**
2-port Isolated CAN card with DB9 Connector

Software Supporting

- **Windows 2000/XP/7 WDM driver**
Support Visual C/C++, C#, Microsoft .NET Framework programming on Windows 2000/XP/7 platform with DLL
- **DeviceNet DLL supported by request**