

PCE-D105

PCE-D105-XN User Manual

Version: V1.0 2015O22

To properly use the product, read this manual thoroughly is necessary.

Part No.: 81-0211400-010

Revision History

Date	Revision	Description
2015/10/22	1.0	Document creation.

© Copyright 2010 TPM

The product, including the product itself, the accessories, the software, the manual and the software description in it, without the permission of TPM Inc. (“TPM”), is not allowed to be reproduced, transmitted, transcribed, stored in a retrieval system, or translated into any language in any form or by any means, except the documentation kept by the purchaser for backup purposes.

The names of products and corporations appearing in this manual may or may not be registered trademarks, and may or may not have copyrights of their respective companies. These names should be used only for identification or explanation, and to the owners’ benefit, should not be infringed without any intention.

The product’s name and version number are both printed on the product itself. Released manual versions for each product design are represented by the digit before and after the period of the manual version number.

Manual updates are represented by the third digit in the manual version number.

Trademark

- **MS-DOS** and **Windows 95/98/NT/2000/XP**, **Visual Studio**, **Visual C++**, **Visual BASIC** are registered trademarks of Microsoft.
- **BCB (Borland C++ Builder)** is registered trademark of Borland.
- Other product names mentioned herein are used for identification purposes only and may be trademarks and/or registered trademarks of their respective companies.

Electrical safety

- To prevent electrical shock hazard, disconnect the power cable from the electrical outlet before relocating the system.
- When adding or removing devices to or from the system, ensure that the power cables for the devices are unplugged before the signal cables are connected. Disconnect all power cables from the existing system before you add a device.
- Before connecting or removing signal cables from motherboard, ensure that all power cables are unplugged.
- Seek professional assistance before using an adapter or extension card. These devices could interrupt the grounding circuit.
- Make sure that your power supply is set to the voltage available in your area.
- If the power supply is broken, contact a qualified service technician or your retailer.

Operational safety

- Please carefully read all the manuals that came with the package, before installing the new device.
- Before use ensure all cables are correctly connected and the power cables are not damaged. If you detect and damage, contact the dealer immediately.
- To avoid short circuits, keep paper clips, screws, and staples away from connectors, slots, sockets and circuitry.
- Avoid dust, humidity, and temperature extremes. Do not place the product in any area where it may become wet.
- If you encounter technical problems with the product, contact a qualified service technician or the dealer.

Contents

CONTENTS 5

1. PCE-D105 INTRODUCTION 6

 1.1. FEATURES..... 7

 1.2. SPECIFICATIONS..... 7

 1.3. HARDWARE LAYOUT..... 8

2. I/O INTERFACE DESCRIPTION 9

 2.1. I/O INTERFACE CONNECTOR CN1 9

 2.2. CARD NUMBER SWITCH RSW1..... 10

3. INTRODUCTION OF THE TERMINAL BOARD FOR PCE-D105-XN 11

 3.1. 107-T161-DUM 11

 3.2. 107-T160-DUM 12

4. SIGNAL CONNECTION 13

 4.1. ISOLATED DIGITAL OUTPUT CHANNELS INTERFACE 13

1. PCE-D105 Introduction

PCE-D105-XN is a 80-ch high-density isolated digital output card. It is an advanced-performance data acquisition card based on PCI Express bus architecture. It is suitable for most industrial applications such as in test equipment, instrumentation, industrial automation, lab automation, and process control. The card features a PCI Express x1 lane which can be used in any available x1, x4, x8, or x16 PCI Express expansion slot.

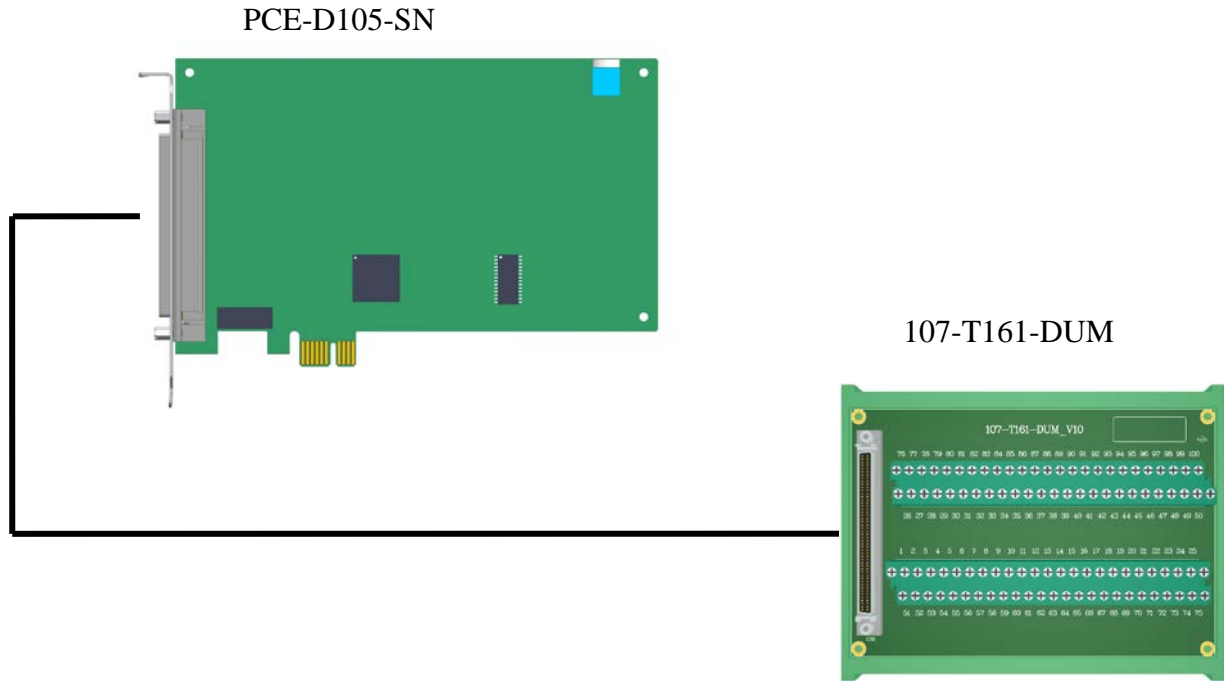


Figure 1-1: PCE-D105 and terminal board

1.1. Features

- Board ID
- Keep digital outputs status after warm reboot
- Readable digital output signals

1.2. Specifications

- Size: (L176 x W98 mm)
- 80-ch high-density isolated digital output
- Surge Protection: 10KV
- IO Isolation Voltage: 2.5KVrms
- Output Types: NPN open collector with Darlington transistors
- High sink current on isolated output channels (350mA max./ch)
- Response Time: On to Off about 50 μ s, Off to On about 8 μ s
- Input Voltage: +18V DC ~ +30V DC

General

- 1-lane 2.5 GB/s PCI Express
- Power consumption: +3.3 V DC at 430 mA, +12V DC at 55 mA typical
- Working temperature: 0 to 60°C

1.3. Hardware Layout

The PCE-D105-XN PCB layout and onboard I/O interfaces are introduced as follows.

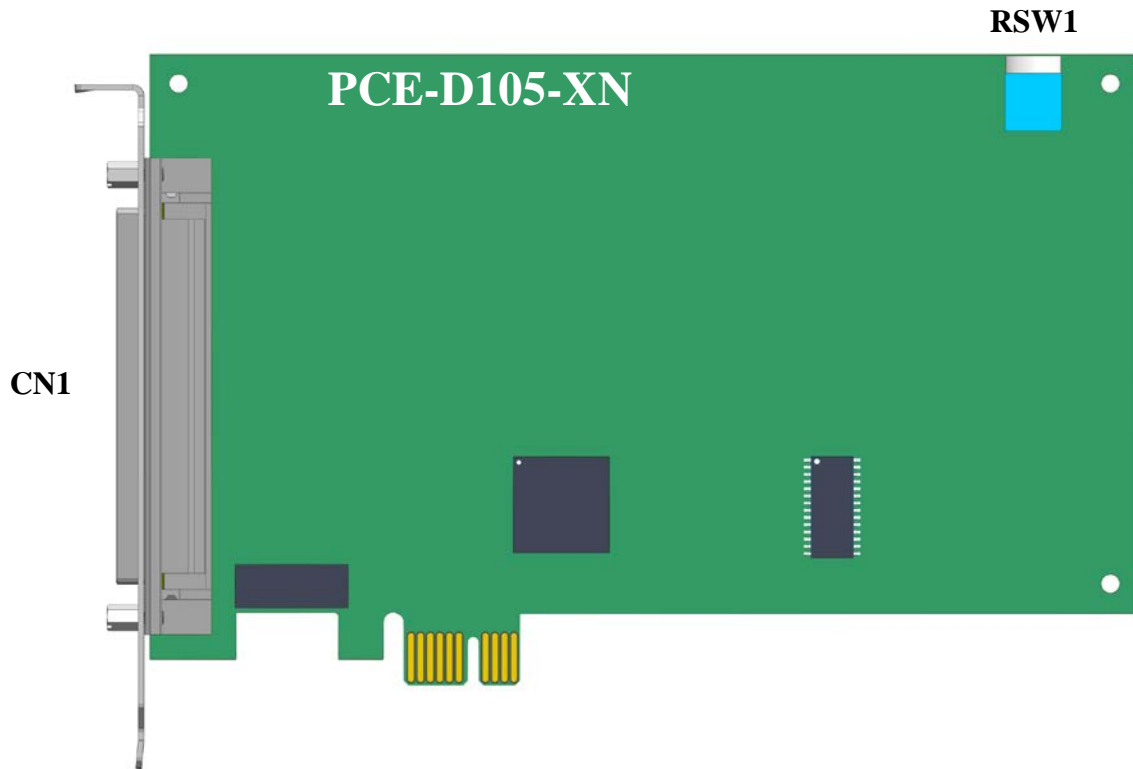


Figure 1-2: hardware PCB layout

Name	Description
CN1	I/O interface and SCSI 100 pins connector
RSW1	Rotary switch for card number setting.

Table 1-1: I/O interfaces on PCE-D122-SN

2. I/O Interface Description

2.1. I/O interface Connector CN1

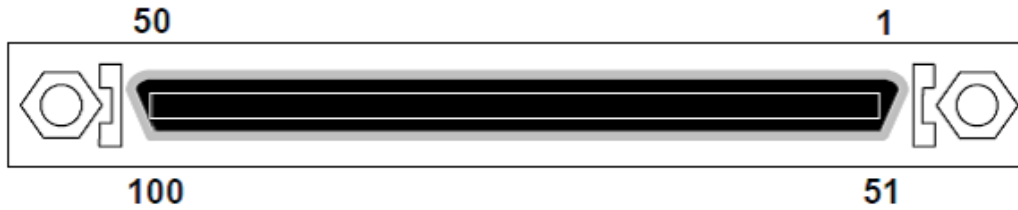


Figure 2-1: 100 pin connector for motion

Pin	Label	Port	Pin	Label	Port
1	+COM1	0	51	+COM6	5
2	OUT 0	0	52	OUT 40	5
3	OUT 1	0	53	OUT 41	5
4	OUT 2	0	54	OUT 42	5
5	OUT 3	0	55	OUT 43	5
6	OUT 4	0	56	OUT 44	5
7	OUT 5	0	57	OUT 45	5
8	OUT 6	0	58	OUT 46	5
9	OUT 7	0	59	OUT 47	5
10	-COM1	0	60	-COM6	5
11	+COM2	1	61	+COM7	6
12	OUT 8	1	62	OUT 48	6
13	OUT 9	1	63	OUT 49	6
14	OUT 10	1	64	OUT 50	6
15	OUT 11	1	65	OUT 51	6
16	OUT 12	1	66	OUT 52	6
17	OUT 13	1	67	OUT 53	6
18	OUT 14	1	68	OUT 54	6
19	OUT 15	1	69	OUT 55	6
20	-COM2	1	70	-COM7	6
21	+COM3	2	71	+COM8	7
22	OUT 16	2	72	OUT 56	7
23	OUT 17	2	73	OUT 57	7
24	OUT 18	2	74	OUT 58	7
25	OUT 19	2	75	OUT 59	7

Pin	Label	Port	Pin	Label	Port
26	OUT 20	2	76	OUT 60	7
27	OUT 21	2	77	OUT 61	7
28	OUT 22	2	78	OUT 62	7
29	OUT 23	2	79	OUT 63	7
30	-COM3	2	80	-COM8	7
31	+COM4	3	81	+COM9	8
32	OUT 24	3	82	OUT 64	8
33	OUT 25	3	83	OUT 65	8
34	OUT 26	3	84	OUT 66	8
35	OUT 27	3	85	OUT 67	8
36	OUT 28	3	86	OUT 68	8
37	OUT 29	3	87	OUT 69	8
38	OUT 30	3	88	OUT 70	8
39	OUT 31	3	89	OUT 71	8
40	-COM4	3	90	-COM9	8
41	+COM5	4	91	+COM10	9
42	OUT 32	4	92	OUT 72	9
43	OUT 33	4	93	OUT 73	9
44	OUT 34	4	94	OUT 74	9
45	OUT 35	4	95	OUT 75	9
46	OUT 36	4	96	OUT 76	9
47	OUT 37	4	97	OUT 77	9
48	OUT 38	4	98	OUT 78	9
49	OUT 39	4	99	OUT 79	9
50	-COM5	4	100	-COM10	9

Table 2-1: SCSI 100-pin definition

2.2. Card Number Switch RSW1



Figure 2-2: card number switch

3. Introduction of the Terminal Board for PCE-D105-XN

3.1. 107-T161-DUM

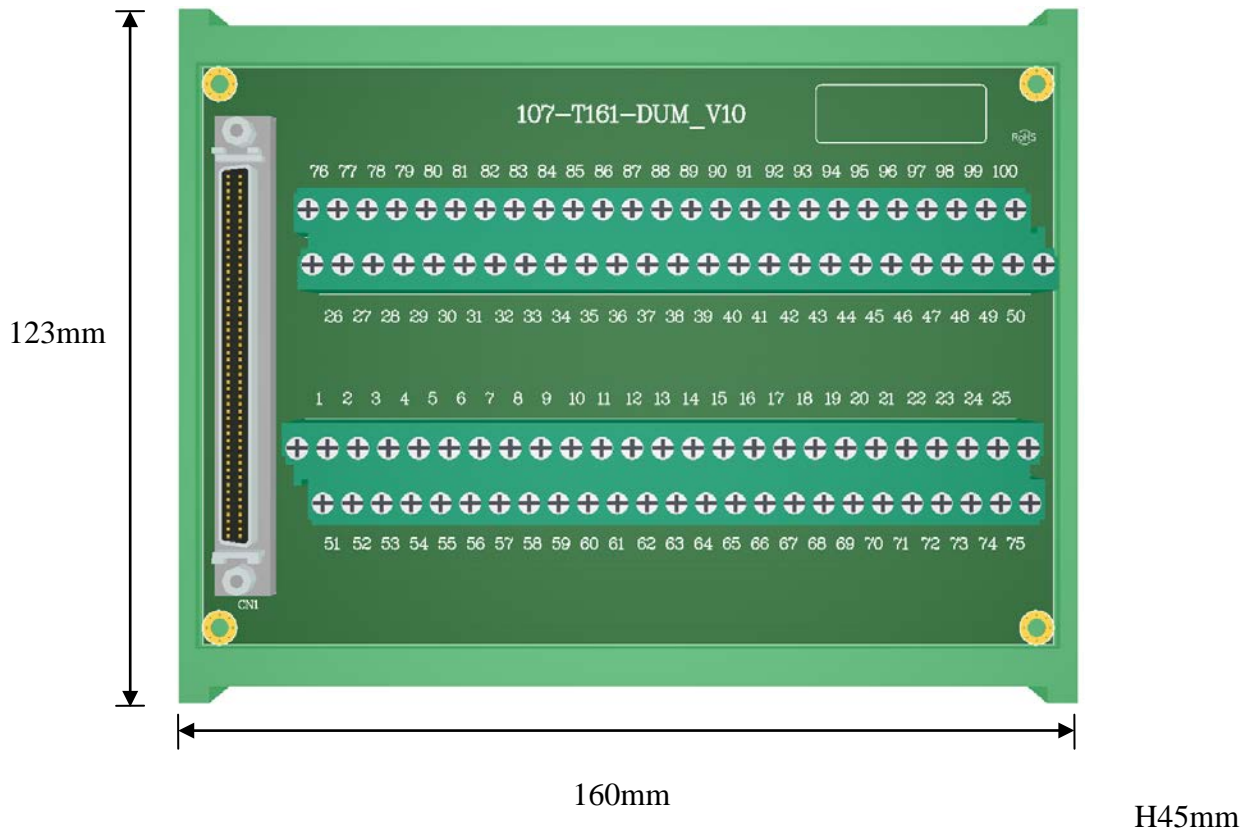


Figure 3-1: drawing of 107-T161-DUM

Label	Function
CN1	SCSI 100 pin Connector

Table 3-1: I/O interfaces on 107-T161-DUM

3.2. 107-T160-DUM

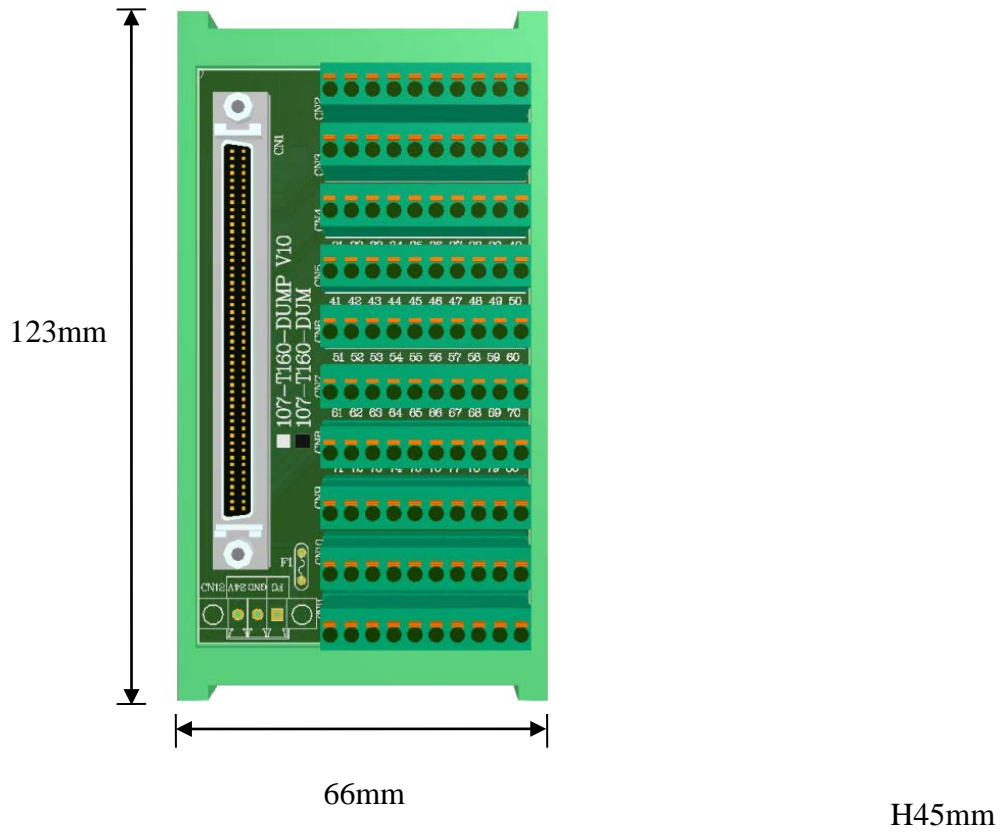


Figure 3-2: drawing of 107-T160-DUM

Label	Function
CN1	SCSI 100 pin Connector

Table 3-2: I/O interfaces on 107-T160-DUM

4. Signal Connection

4.1. Isolated Digital Output Channels Interface

■ Output signal circuit in SINK mode (NPN) is illustrated as follows

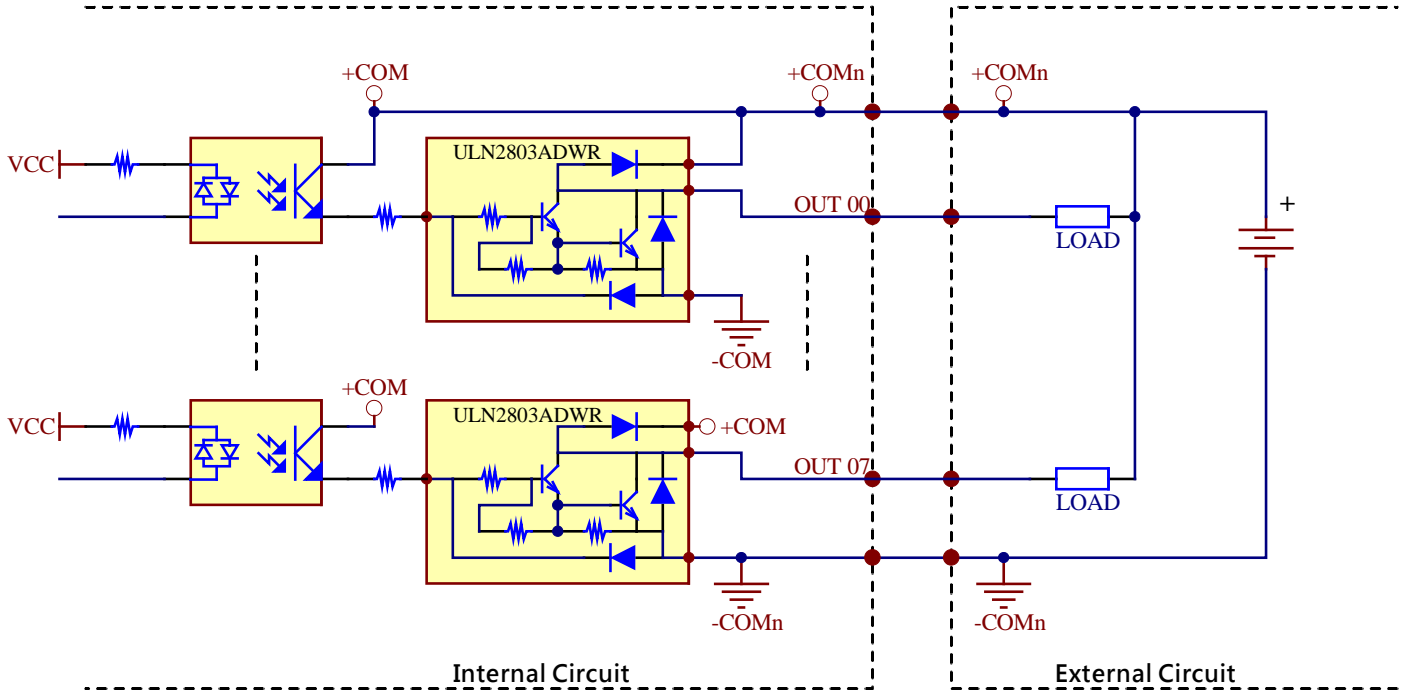


Figure 4-1: Signal circuit of Output NPN